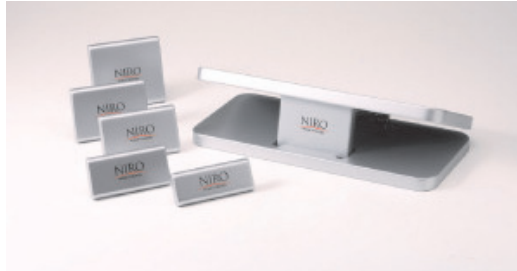


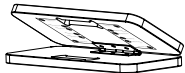
# NIRO

## ADJUSTABLE ANGLE STAND II OWNERS MANUAL



The following items are enclosed.

- ① ADJUSTABLE ANGLE STAND II x1    ② M5x25 Screw x2



- ③ Rubber Foot x4

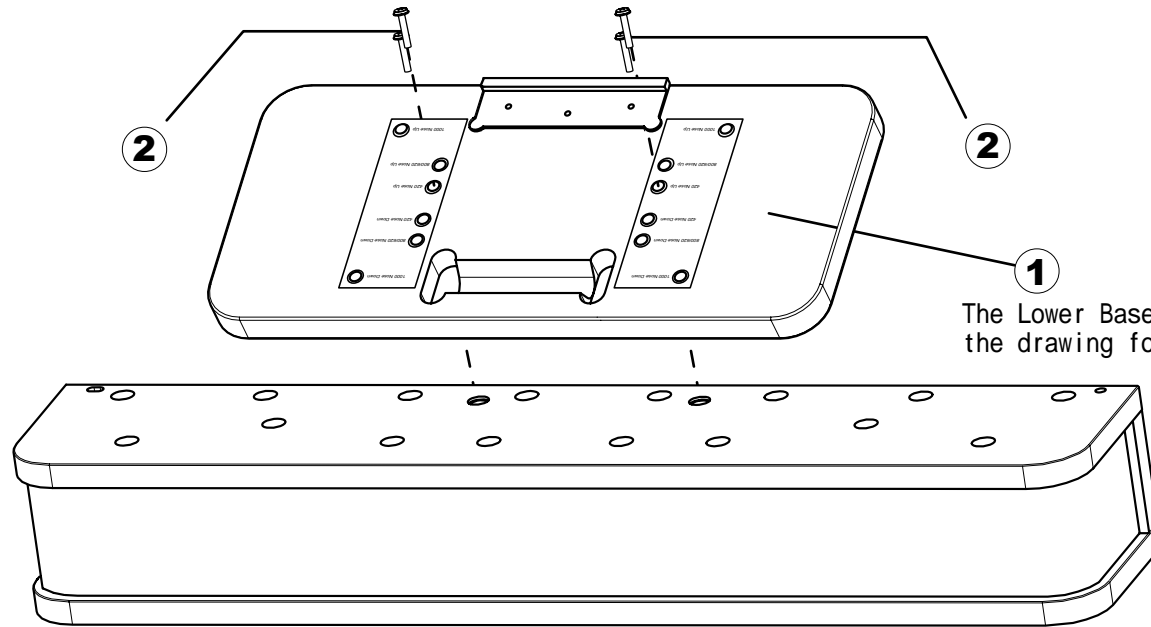


Use by attaching on the corners of the bottom of the Adjustable Angle Stand.

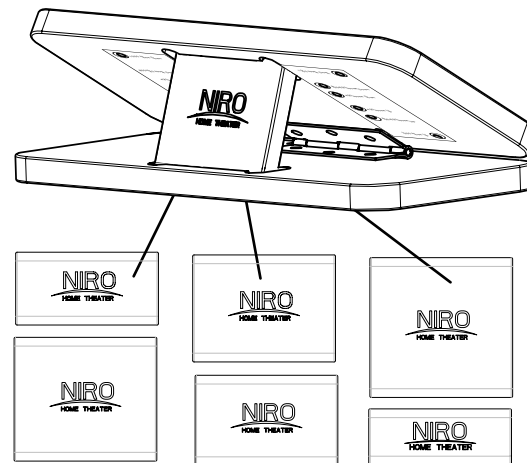
- ④ ~ ⑨ STOPPER 5 ~ 30 x1



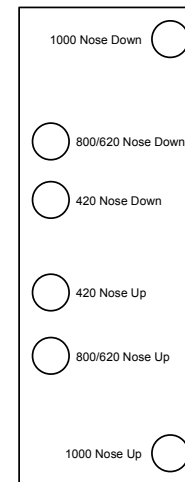
Thank you for purchasing the NIRO Adjustable Angle Stand II. This product contains small hardware and parts. Please keep children away during assembly.



The Lower Base is not shown in the drawing for better visibility.



### Upper Base mounting guide



When the speaker is higher than the listener's head, install in the Nose Down position.



When the speaker needs to be tilted downward, use the Nose Down screw holes on the mounting guide.

When the speaker is lower than the listener's head, install in the Nose Up position.



When the speaker needs to be tilted upward, use the Nose Up screw holes on the mounting guide.

The effectiveness of the NIRO System can be optimized by aiming the speaker toward the listener's head. Choose the best Stopper from 4 to 9 which allows the Stand to tilt from 5 to 30 degrees.

Make sure to follow the Stand assembly instructions carefully to avoid any accidental damage. Also be cautious of the speaker cable.