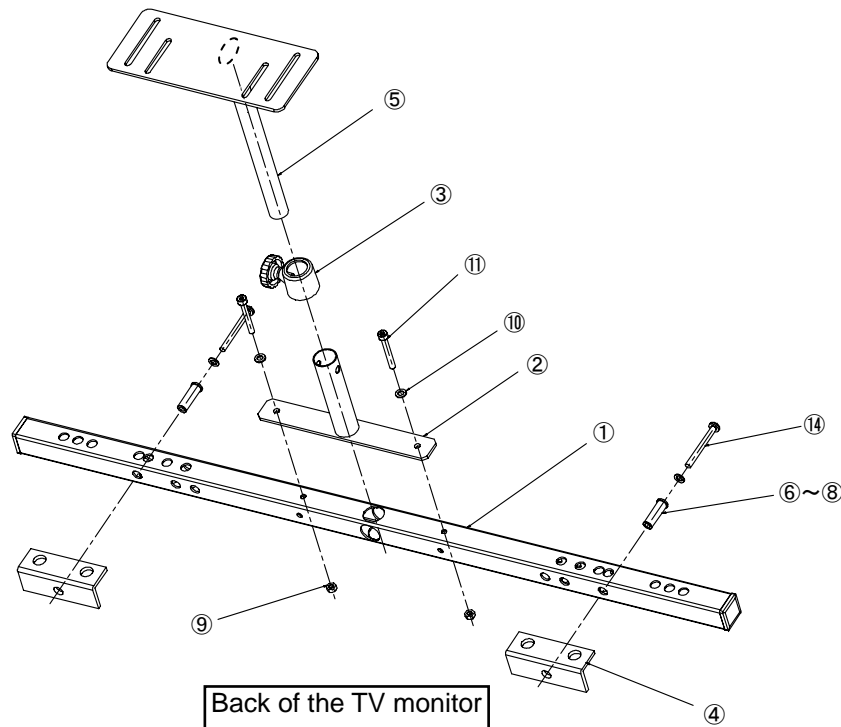


NIRO NIRO TV FITTING KIT WIDE N

OWNERS MANUAL

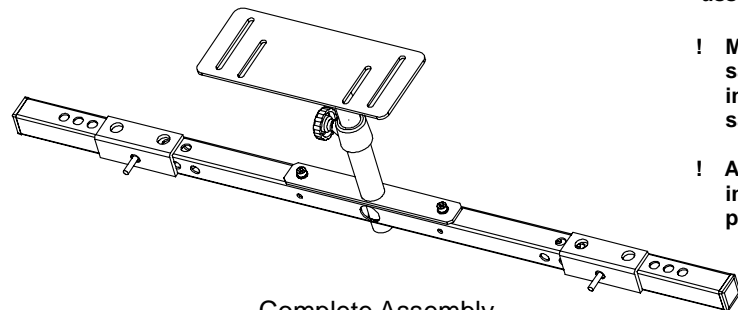


Back of the TV monitor

If you have any questions about installation or the proper screw for your TV is not enclosed, contact us at ussales@niro1.com

! **Make sure to check installation and fastening of the satellite speaker after installing since failure to properly install and fasten the satellite speaker can result in the satellite speaker falling from your TV.**

! **Assembly should be done away from children's reach in order to avoid any accident with swallowing small parts.**



Complete Assembly

How to Assemble :

- (1) Enclosed are several different types and sizes of screws (14) for your Side Bar Long (1) installation. Determine the proper screws for your particular TV by matching with the mounting screw holes on the back of your TV.
- (2) On the Side Bar Long, there are several holes in-line. Determine the correct holes to be used for installation by matching with the mounting screw holes on the back of your TV.
- (3) If you are using M4, M5, or M6 screws, use the corresponding Sleeves, M4 Sleeve (6), M5 Sleeve (7), or M6 Sleeve (8) as shown in the drawing. Insert the Spacer (4) between Side Bar Long and the back of your TV.
- ! **Attach the Spacer (4) as shown in the drawing. Use enclosed washer if needed.**
- (4) After the Side Bar Long is installed, attach Base Plate Assy (2) to the Side Bar Long using the M4 wrench enclosed. All necessary hardware is in the bag labeled "For Base Plate Assy".
- (5) Attach the SP Plate Assy (5) to the bottom of the Satellite Speaker using the M5X15 screws enclosed in the bag labeled "For Base Plate Assy"
- (6) Loosen the clamp of the Pipe Clamp Assy (3) and insert the pipe of the SP Plate Assy (5) to the Pipe Clamp Assy.
- ! **Make sure to loosen the Pipe Clamp Assy before inserting the SP Plate Assy in order to avoid unwanted scratch.**
- (7) If the surface of the TV monitor and the Satellite Speaker is not lined up, remove the SP Plate Assy (5) from the clamp first and adjust the Satellite Speaker position on the plate by loosening the screws and sliding the plate to the proper position.
- (8) Adjust the height of the SP Plate Assy (5) so that the space between the bottom of the speaker and the top of the TV is very small and tighten the Pipe Clamp Assy (3)
- ! **The Satellite Speaker should not weigh on the TV directly. Make sure that the plate of the SP Plate Assy is not touching the top of the TV.**
- (9) Make sure that all screws are tightened.

Contents

(To assemble TV FITTING KIT)

① SIDE BAR LONG	1 pcs
② BASE PLATE ASSY	1 pcs
③ PIPE CLAMP ASSY	1 pcs
④ SPACER	1 pcs
⑤ SP PLATE ASSY	1 pcs
⑥ M4 SLEEVE	2 pcs
⑦ M5 SLEEVE	2 pcs
⑧ M6 SLEEVE	2 pcs
⑨ M5 nut	2 pcs
⑩ M5 washer	2 pcs
⑪ M5 hexagon head screw	2 pcs
⑫ M4 wrench	1 pcs
⑬ M5X15 screw	2 pcs

Contents

(Screws to install Side Bar Long)

M4X35	2 pcs
M4X40	2 pcs
M4X50	2 pcs
M4 washer	2 pcs
M5X40	2 pcs
M5X50	2 pcs
M5 washer	2 pcs
M6X40	2 pcs
M6X50	2 pcs
M6 washer	2 pcs
M8X50	2 pcs
M8X70	2 pcs
M8 washer	2 pcs